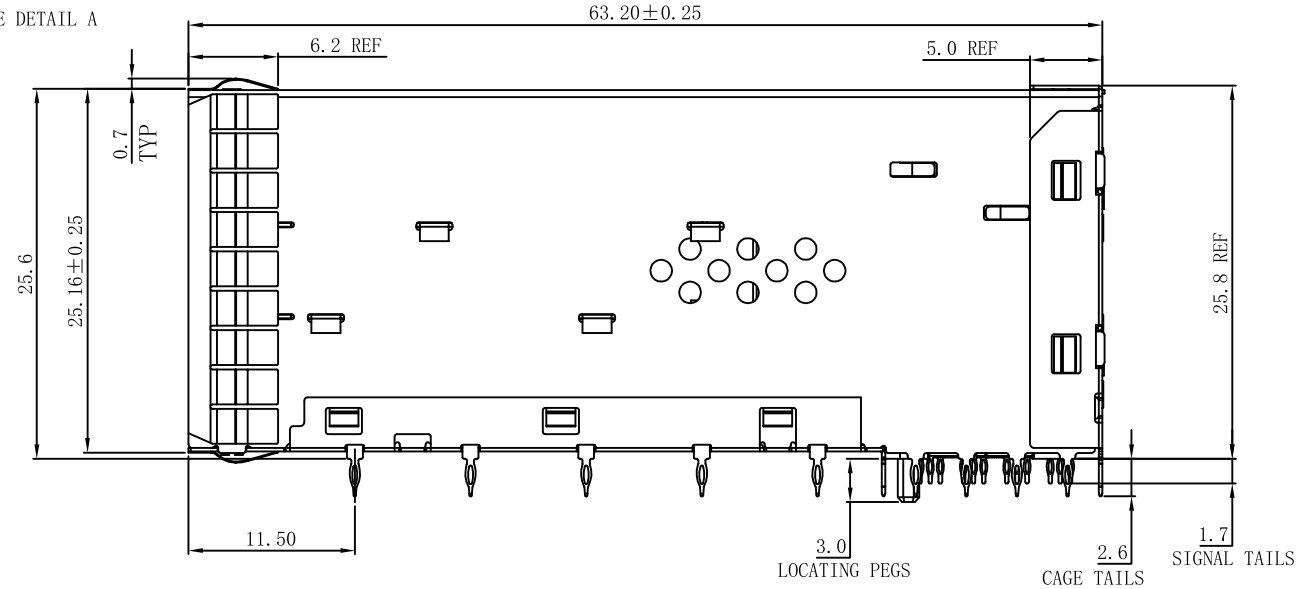
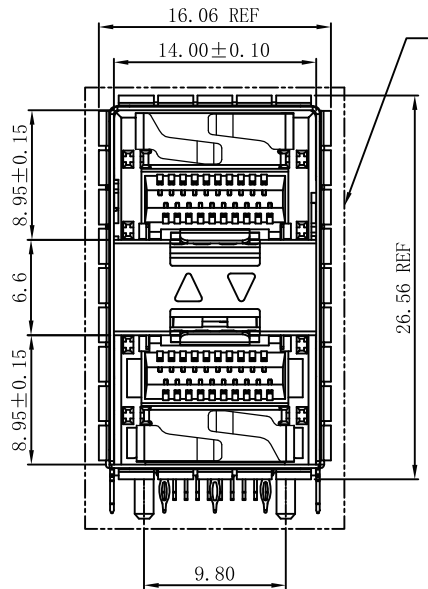
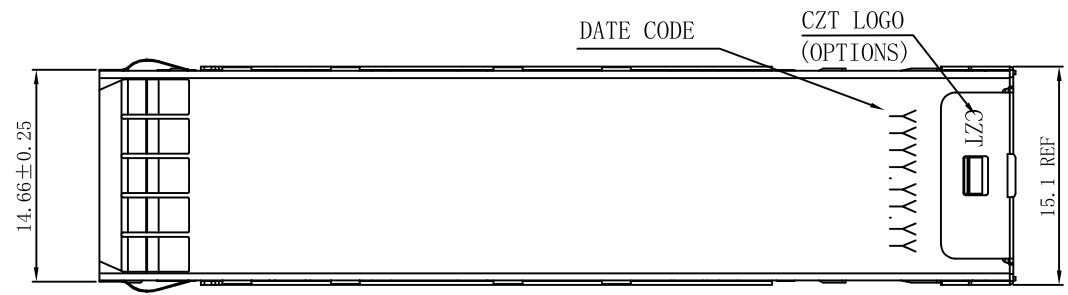


NOTE:  
 MATERIAL:  
 1. CONTACT: PHOSPHOR BRONZE.  
 2. CONNECTOR HOUSING: LCP UL 94V-0. COLOR: BLACK.  
 3. MOULDED INSERT: HIGH TEMPERATURE PLASTIC UL 94V-0. COLOR:BLACK.  
 4. CAGE: COPPER ALLOY.  
 5. LIGHT PIPES: POLYCARBONATE. UL 94V-0. COLOR:CLEAR  
 6. LIGHT PIPE HOUSING: PBT UL 94V-0 COLOR:BLACK.  
 7. EMI CLIP: COPPER ALLOY.

PLATED:  
 1. CONTACT MATING AREA : PLATING GOLD 0.76 MICROMETERS MINIMUM  
 OVER 1.27 MICROMETERS MINIMUM NICKEL.  
 2. CONTACT NEEDLE EYE: 1.27 MICROMETERS MINIMUM MATTE TIN  
 OVER 1.27 MICROMETERS MINIMUM NICKEL.



RoHS Compliant

**沃虎** 苏州沃虎电子科技有限公司  
 VOOHU Su Zhou Voohu Electronic Tech.Co.Ltd

TITLE: SFP28 2×1 CONNECTOR

SIZE  
A4

UNITS  
MM[INCH]

GENERAL TOLERANCES  
UNLESS SPECIFIED

APPROVED BY:  
Geoffrey. Song

PART NO.:  
WHSFP32221F002

SACLE  
1:1

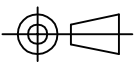
REV  
A0

$x \pm 0.35$   $x^\circ \pm 3.0^\circ$   
 $.x \pm 0.30$   $.x^\circ \pm 2.0^\circ$

CHECKED BY:  
Elvis. Song

REMARK: TYPE3\_2 INNER  
LIGHT PIPE

SHEET  
1/4

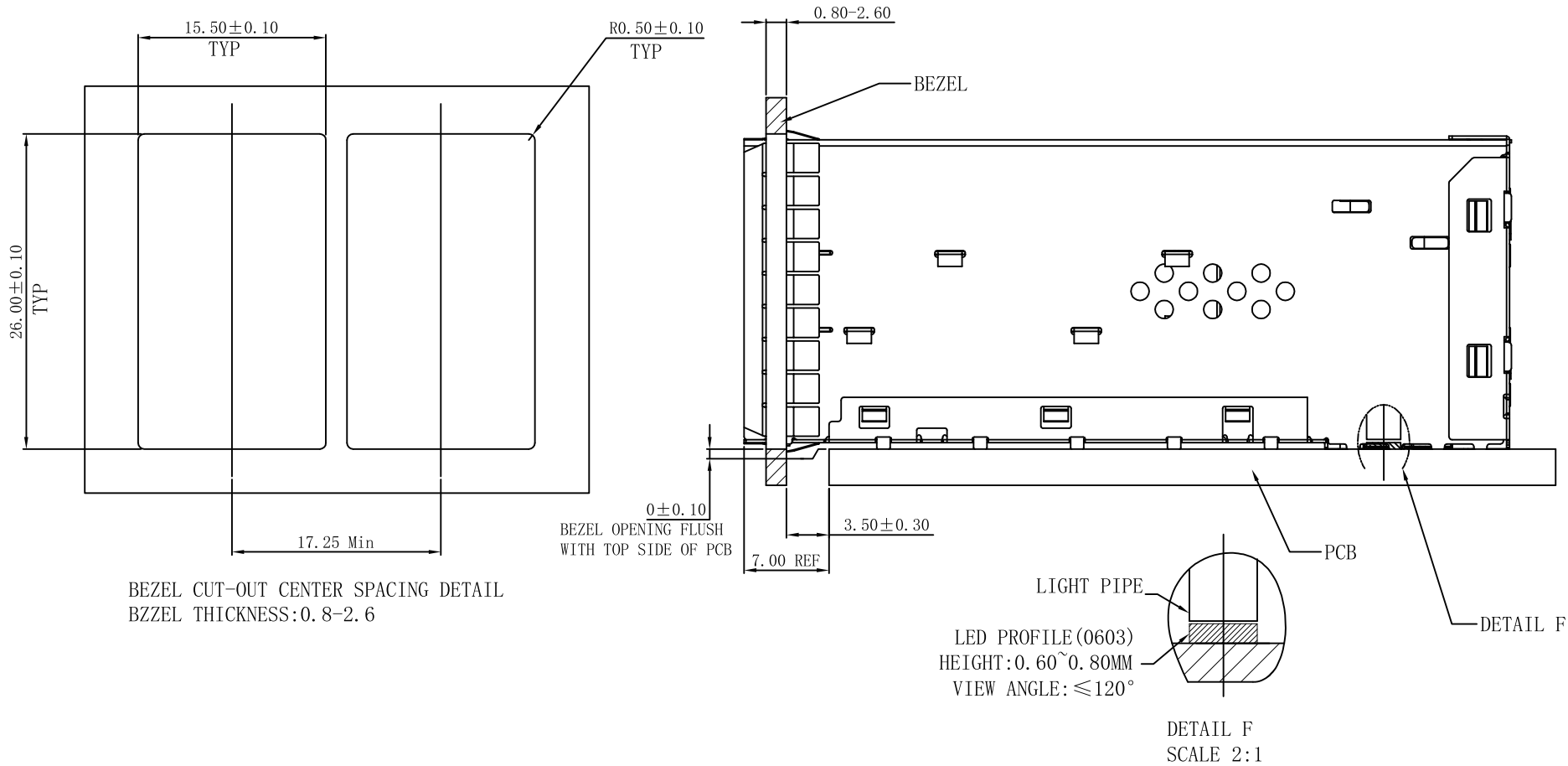


$.xx \pm 0.25$   $.xx^\circ \pm 1.5^\circ$   
 $.xxx \pm 0.10$   $.xxx^\circ \pm 1.0^\circ$

DESIGND BY:  
Sunny. Xu

TEL: +86 400 1048 018

WEB: WWW.WOHU-TEK.COM



BEZEL CUT-OUT CENTER SPACING DETAIL  
BEZEL THICKNESS: 0.8-2.6

DETAIL F  
SCALE 2:1

RoHS Compliant

**沃虎** 苏州沃虎电子科技有限公司  
VOOHU Su Zhou Voohu Electronic Tech.Co.Ltd

TITLE: SFP28 2×1 CONNECTOR

SIZE  
A4

UNITS  
MM[INCH]

GENERAL TOLERANCES  
UNLESS SPECIFIED

APPROVED BY:  
Geoffrey.Song

PART NO.:  
WHSFP32221F002

SACLE  
1:1

REV  
A0

x±0.35	x°±3.0°
.x±0.30	.x°±2.0°

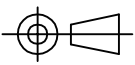
CHECKED BY:  
Elvis.Song

TEL: +86 400 1048 018

WEB: WWW.WOHU-TEK.COM

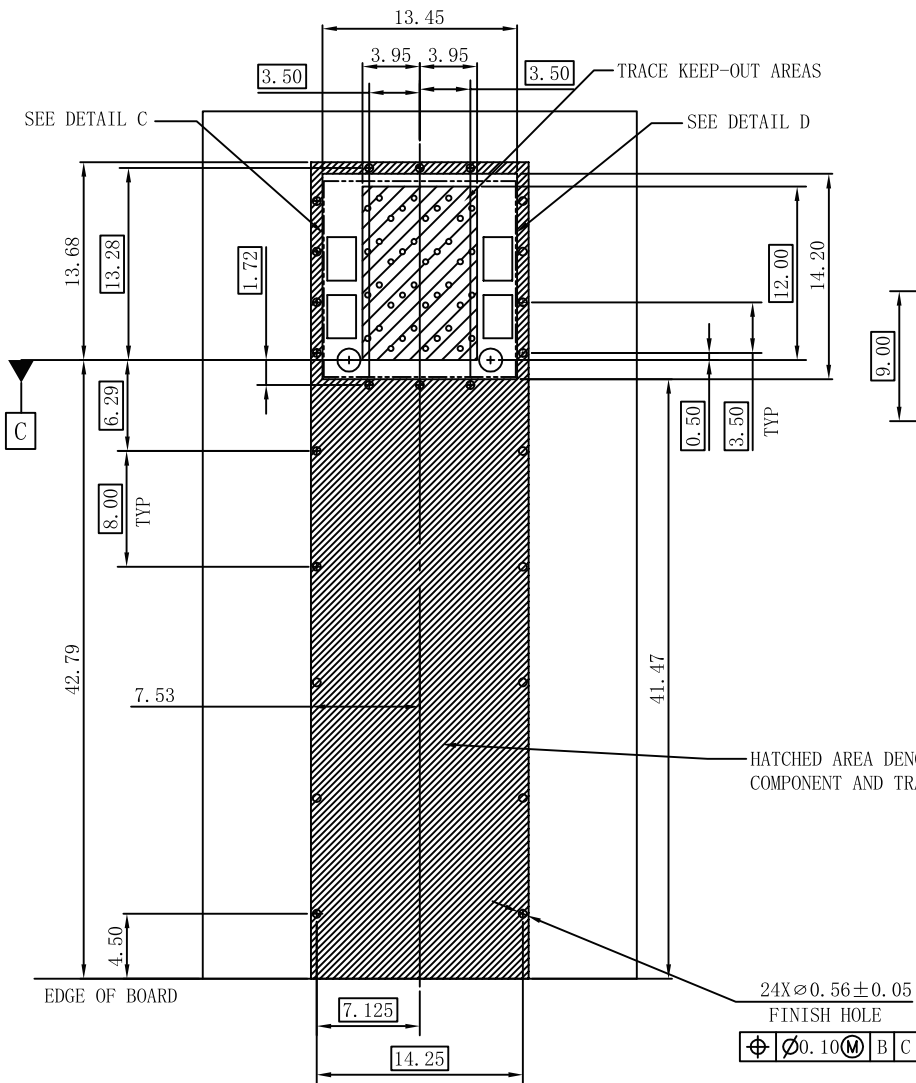
REMARK: TYPE3\_2 INNER  
LIGHT PIPE

SHEET  
1/4

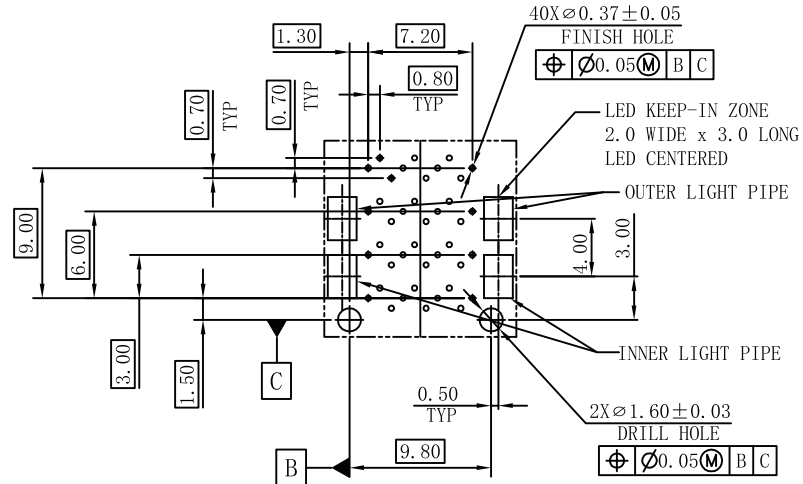


.xx±0.25	.xx°±1.5°
.xxx±0.10	.xxx°±1.0°

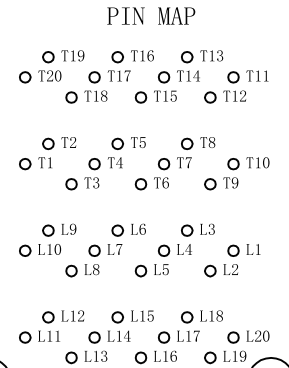
DESIGND BY:  
Sunny.Xu



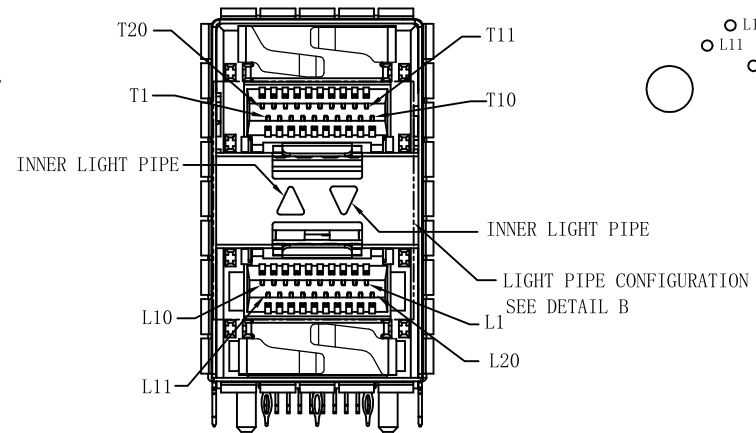
RECOMMENDED PCB LAYOUT-COMPONENT SIDE  
RECOMMENDED PCB THICKNESS-2.63mm



DETAIL C



DETAIL D



DETAIL A

RoHS Compliant

 **沃虎** 苏州沃虎电子科技有限公司  
Su Zhou Voohu Electronic Tech.Co.Ltd

TITLE: SFP28 2x1 CONNECTOR

SIZE  
A4

UNITS  
MM[INCH]

GENERAL TOLERANCES  
UNLESS SPECIFIED

APPROVED BY:  
Geoffrey. Song

PART NO.:  
WHSFP32221F002

SACLE  
1:1

REV  
A0

$x \pm 0.35$   
 $x^\circ \pm 3.0^\circ$   
 $.x \pm 0.30$   
 $.x^\circ \pm 2.0^\circ$

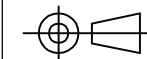
CHECKED BY:  
Elvis. Song

TEL: +86 400 1048 018

WEB: WWW.WOHU-TEK.COM

REMARK: TYPE3\_2 INNER  
LIGHT PIPE

SHEET  
1/4



$.xx \pm 0.25$   
 $.xx^\circ \pm 1.5^\circ$   
 $.xxx \pm 0.10$   
 $.xxx^\circ \pm 1.0^\circ$

DESIGN BY:  
Sunny. Xu