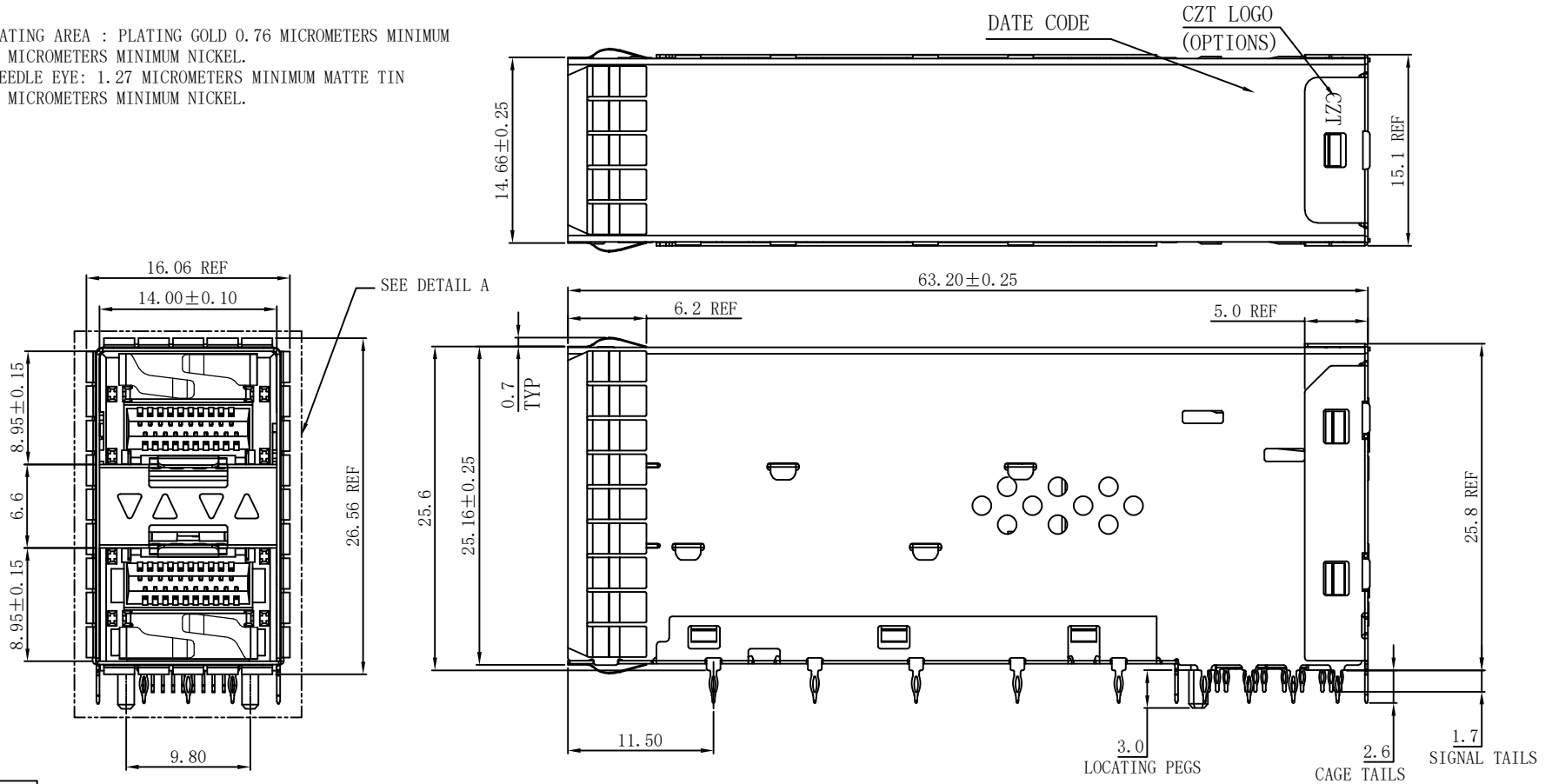


- NOTE:
MATERIAL:
1. CONTACT: PHOSPHOR BRONZE.
2. CONNECTOR HOUSING: LCP UL 94V-0. COLOR: BLACK.
3. MOULDED INSERT: HIGH TEMPERATURE PLASTIC UL 94V-0. COLOR:BLACK.
4. CAGE: COPPER ALLOY.
5. LIGHT PIPES: POLYCARBONATE. UL 94V-0. COLOR:CLEAR
6. LIGHT PIPE HOUSING: PBT UL 94V-0 COLOR:BLACK.
7. EMI CLIP: COPPER ALLOY.

- PLATED:
1. CONTACT MATING AREA : PLATING GOLD 0.76 MICROMETERS MINIMUM
OVER 1.27 MICROMETERS MINIMUM NICKEL.
2. CONTACT NEEDLE EYE: 1.27 MICROMETERS MINIMUM MATTE TIN
OVER 1.27 MICROMETERS MINIMUM NICKEL.



RoHS Compliant



苏州沃虎电子科技有限公司
Su Zhou Voohu ElectronicTech.Co.Ltd

TITLE:
SFP28 2X1 CONNECTOR

SIZE
A4
UNITS
MM[INCH]

GENERAL TOLERANCES
UNLESS SPECIFIED

APPROVED BY:
Geoffrey.Song

PART NO.:
WHSFP32121F001

SACLE
1:1
REV
A2

$x \pm 0.35$
 $x^\circ \pm 3.0^\circ$
 $.x \pm 0.30$
 $.x^\circ \pm 2.0^\circ$

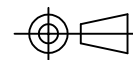
CHECKED BY:
Elvis.Song

TEL: +86 400 1048 018

WEB: www.wohu-tek.com

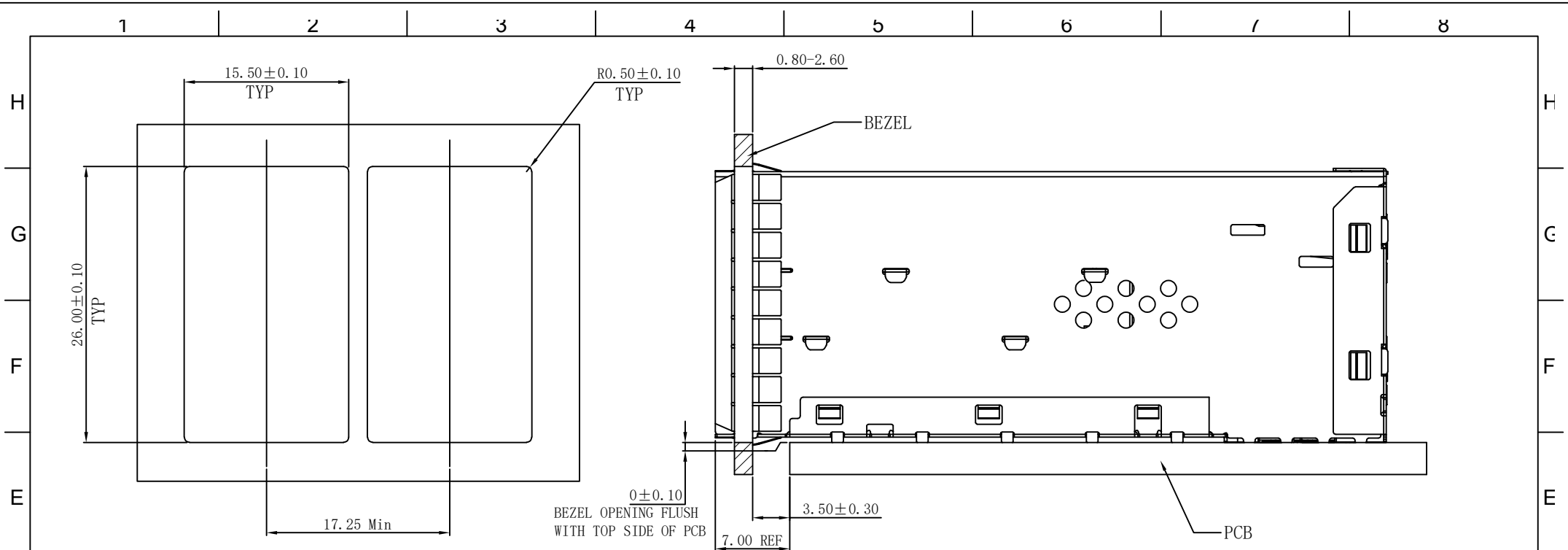
REMARK:

SHEET
1/3

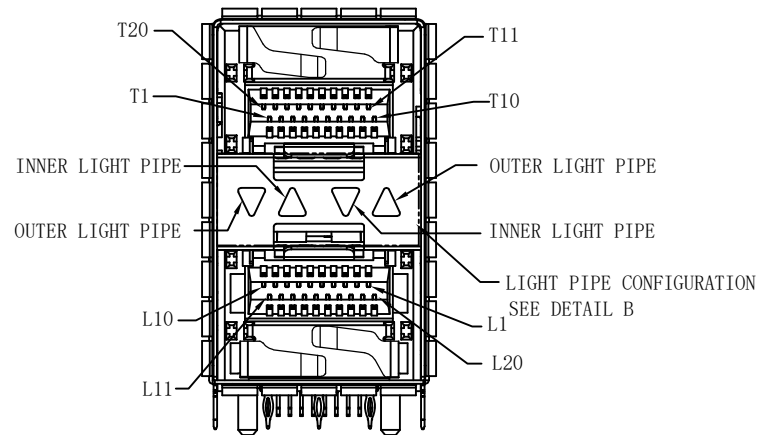


$.xx \pm 0.25$
 $.xx^\circ \pm 1.5^\circ$
 $.xxx \pm 0.10$
 $.xxx^\circ \pm 1.0^\circ$

DESIGND BY:
Sunny.Xu



BEZEL CUT-OUT CENTER SPACING DETAIL
 BZZEL THICKNESS:0.8-2.6



DETAIL A

RoHS Compliant



苏州沃虎电子科技有限公司
 Su Zhou Voohu ElectronicTech.Co.Ltd

TITLE:
 SFP28 2X1 CONNECTOR

SIZE
 A4

UNITS
 MM[INCH]

GENERAL TOLERANCES
 UNLESS SPECIFIED

APPROVED BY:
 Geoffrey.Song

PART NO.:
 WHSFP32121F001

SACLE
 1:1

REV
 A2

$x \pm 0.35$
 $x^\circ \pm 3.0^\circ$
 $x \pm 0.30$
 $x^\circ \pm 2.0^\circ$

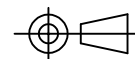
CHECKED BY:
 Elvis.Song

TEL: +86 400 1048 018

WEB:www.wohu-tek.com

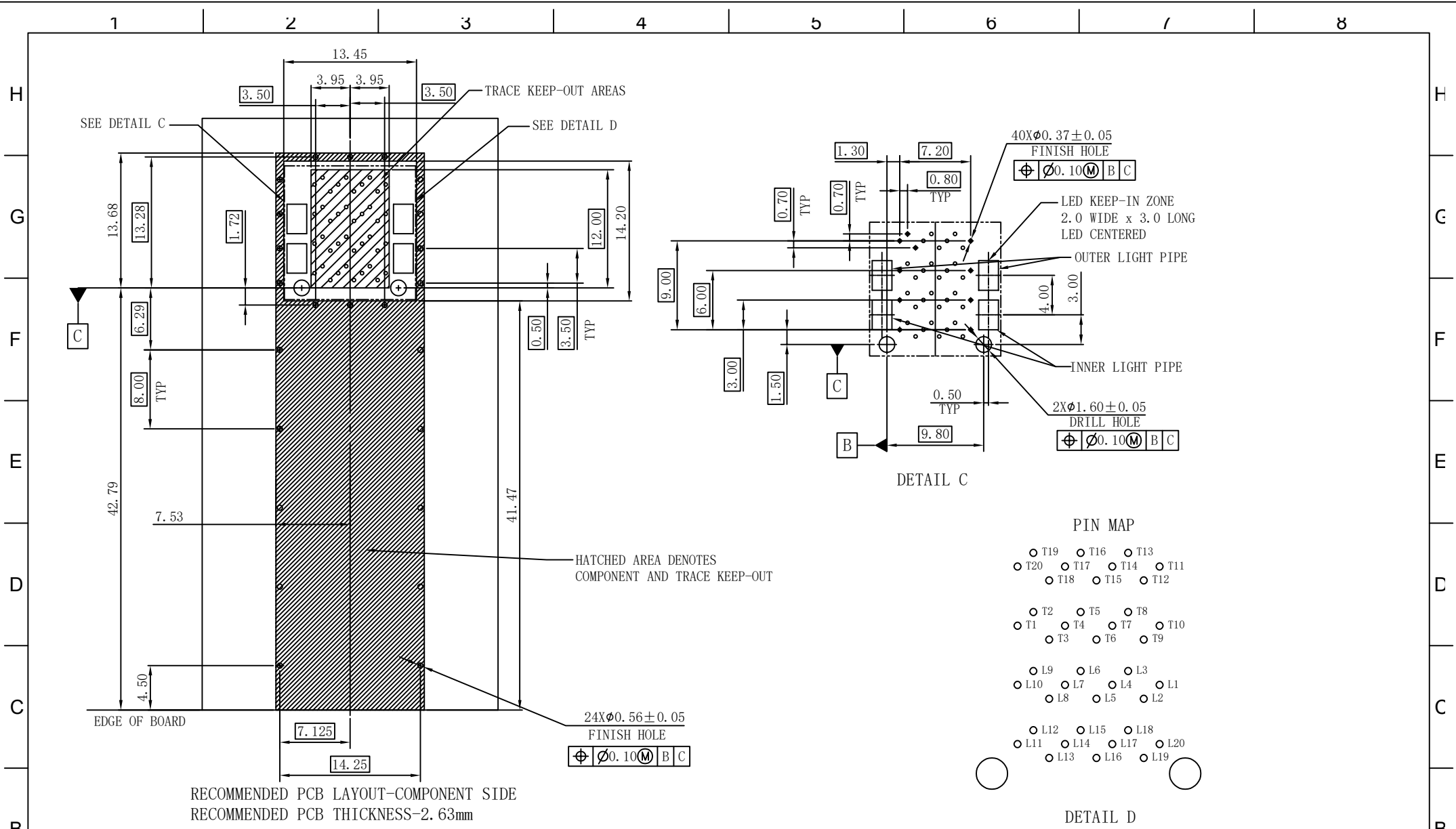
REMARK:

SHEET
 2/3



$.xx \pm 0.25$
 $.xx^\circ \pm 1.5^\circ$
 $.xxx \pm 0.10$
 $.xxx^\circ \pm 1.0^\circ$

DESIGND BY:
 Sunny.Xu



RECOMMENDED PCB LAYOUT-COMPONENT SIDE
 RECOMMENDED PCB THICKNESS-2.63mm

RoHS Compliant

VOOHU 苏州沃虎电子科技有限公司
 Su Zhou Voohu ElectronicTech.Co.Ltd

TITLE:
SFP28 2X1 CONNECTOR

SIZE
A4

UNITS
MM[INCH]

GENERAL TOLERANCES
UNLESS SPECIFIED

APPROVED BY:
Geoffrey.Song

PART NO.:
WHSFP32121F001

SACLE
1:1

REV
A2

$x \pm 0.35$ $x^\circ \pm 3.0^\circ$
 $x \pm 0.30$ $x^\circ \pm 2.0^\circ$

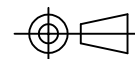
CHECKED BY:
Elvis.Song

TEL: +86 400 1048 018

WEB: www.wohu-tek.com

REMARK:

SHEET
3/3



$.xx \pm 0.25$ $.xx^\circ \pm 1.5^\circ$
 $.xxx \pm 0.10$ $.xxx^\circ \pm 1.0^\circ$

DESIGND BY:
Sunny.Xu