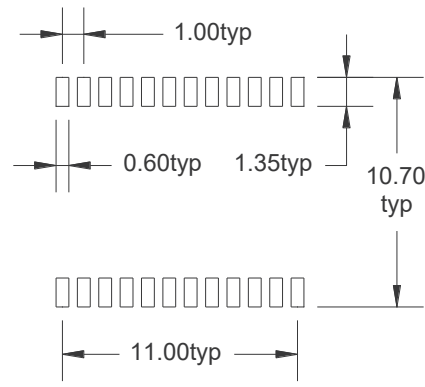
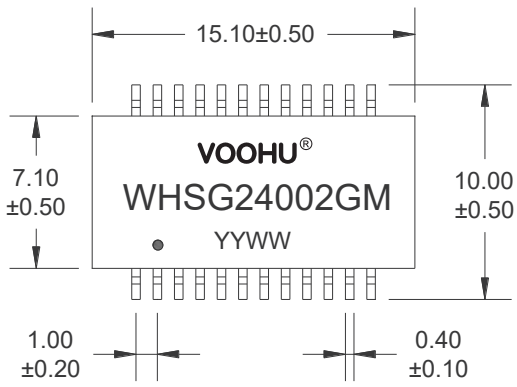
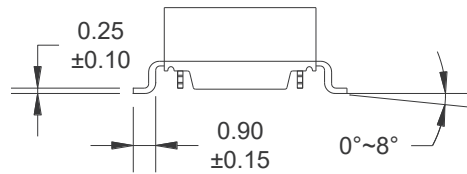
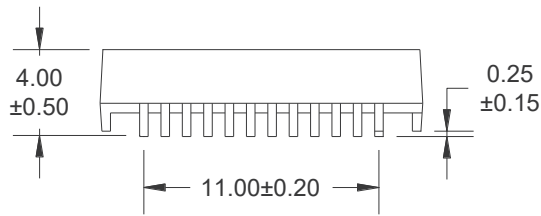


A. MECHANICAL(unit:mm)

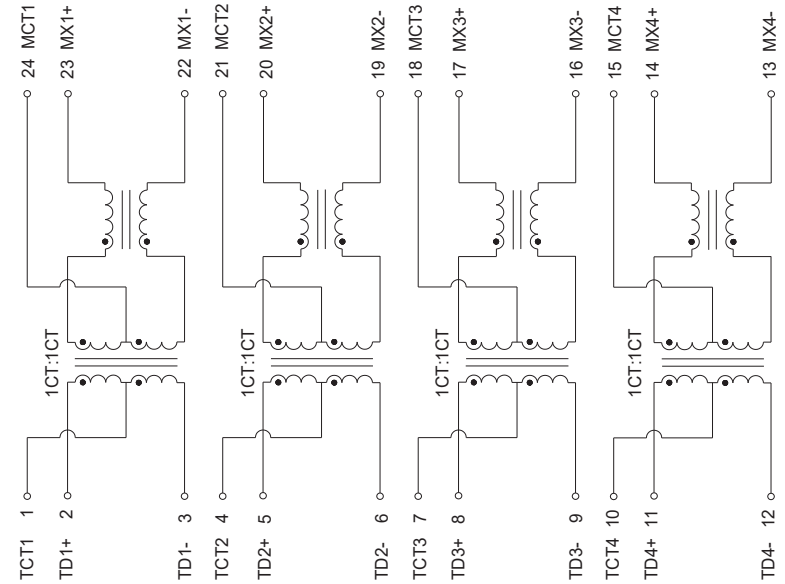


Suggested PAD Layout



B. SCHEMATICS

Chip Side



Cable Side

VOOHU 苏州沃虎电子科技有限公司
Su Zhou Voohu Electronic Tech.Co.Ltd

TITLE:
100/1000 BASE-T

SIZE
A4
UNITS
MM[INCH]

GENERAL TOLERANCES
UNLESS SPECIFIED

APPROVED BY:
Geoffrey.Song

PART NO.:
WHSG24002GM

SCALE
1:1

REV
A0

$x \pm 0.35$
 $.x \pm 0.30$

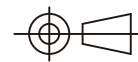
CHECKED BY:
Elvis.Song

TEL: +86 400 1048 018

WEB: WWW.WOHU-TEK.COM

REMARK:

SHEET
1/2



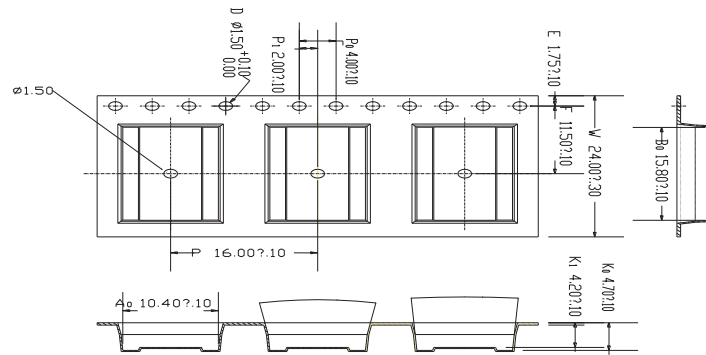
$.xx \pm 0.25$
 $.xxx \pm 0.10$

DESIGNED BY:
Sunny.Xu

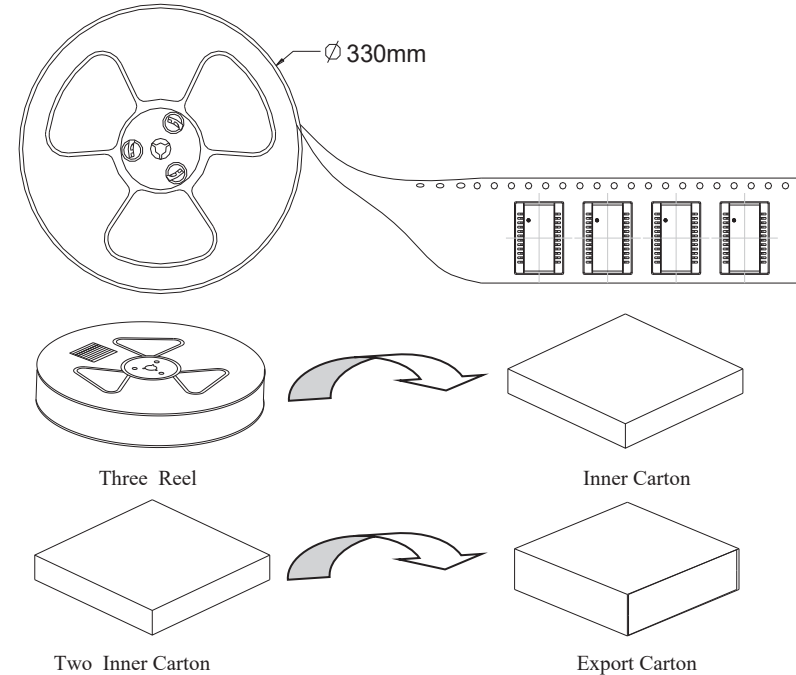
C. ELECTRICAL SPECIFICATIONS @25°C



1. OCL: 300uH Min @ 100KHz, 0.1V 8mA DC BIAS
2. Leakage Inductance: 0.5uH Max @ 100KHz, 0.1V
3. DCR: 1400mΩ Max
4. Turns Ratio: 1CT:1CT±5%
5. Insertion Loss: -1.1 dB Max @ 1-100 MHz
6. Return Loss: -18 dB Min @ 1-30 MHz
 - 14.4 dB Min @40 MHz
 - 13.1 dB Min @ 50 MHz
 - 12 dB Min @ 60-80 MHz
 - 10 dB Min @ 100 MHz
7. Cross Talk: -30 dB Min @ 1-100 MHz
8. Common Mode Rejection: -30 dB Min @ 1-100 MHz
9. Isolation Hipot: 1500VAC 1mA 60S
10. Operating temperature -40°C to +85°C
11. Storage Temperature(With Package): +10°C to +40°C
12. Storage Temperature
(Without Package, Just For Components): -40°C to +125°C
13. Compliant with IEEE 802.3af standard.
14. Certification GJB9001C Standard
15. RoHS/REACH/HF Compliance

D. PACKAGE INFORMATION



Package Quantity:
 One Reel=800Pcs
 One Inner Carton=800*3=2400Pcs
 One Export Carton=2400*2=4800Pcs



 苏州沃虎电子科技有限公司 Su Zhou Voohu Electronic Tech.Co.Ltd	TITLE: 100/1000 BASE-T	SIZE A4	UNITS MM[INCH]	GENERAL TOLERANCES UNLESS SPECIFIED		APPROVED BY: Geoffrey.Song
	PART NO.: WHS24002GM	SACLE 1:1	REV A0	x±0.35	x°±3.0°	CHECKED BY: Elvis.Song
	REMARK:	SHEET 2/2		.xx±0.25	.xx°±1.5°	DESIGND BY: Sunny.Xu
TEL: +86 400 1048 018	WEB: WWW.WOHU-TEK.COM			.xxx±0.10	.xxx°±1.0°	